

# HS-217SHB-BL Outdoor- housing



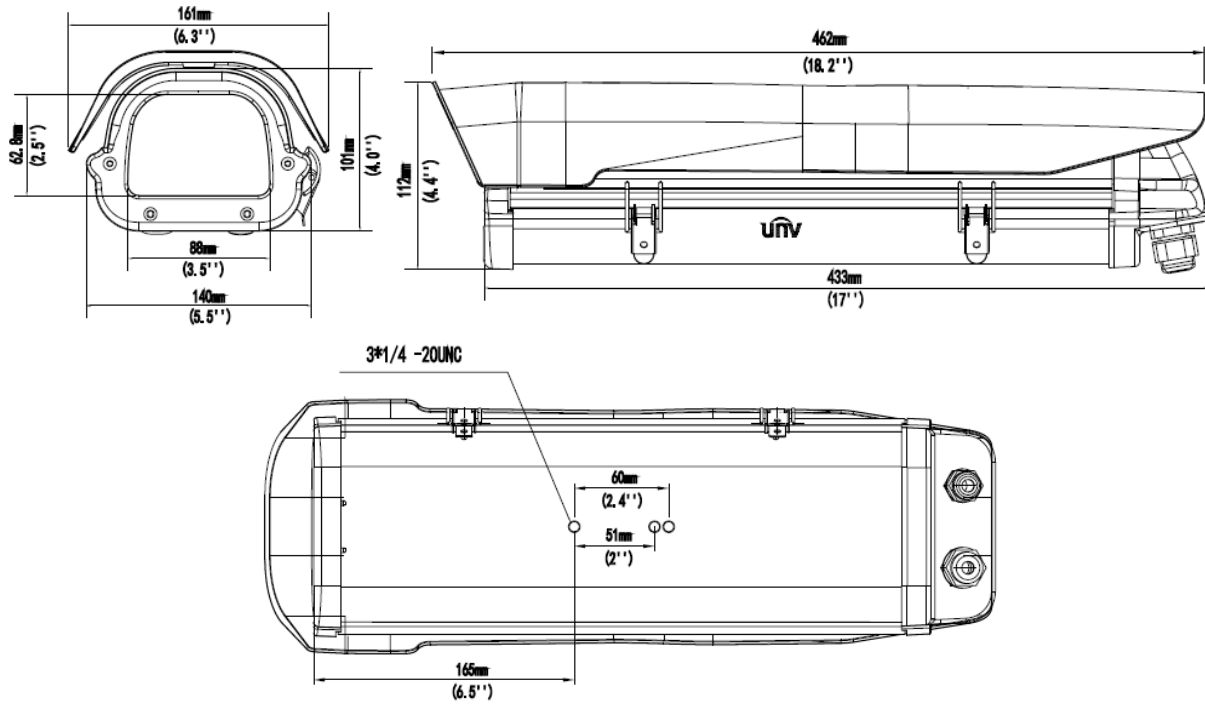
## Key Features

- Anti-corrosive and ultraviolet-proof material to enhance outdoor durability
- Combined with adjustable sun shade from direct solar radiation
- Build-in temperature controlling
- Built-in temperature control module, it can automatically control heater and fan's working condition according to ambient temperature
- Heater on with simultaneous fan against foggy glass cover
- Easy and flexible installation with side open structure
- IP65-rated

## Specifications

Housing	HS-217SHB-BL
Application	Outdoor (including sun shade, Heater,Fan)
Ingress Protection	IP65
Power supply	AC24V
Power	Heater: 40W, Fan: 4.3W
Operating Condition	-35°C~+50°C(-31°F ~ 122°F) Humidity ≤ 100% RH(non-condensing)
Working conditions of temperature control module	The heating on: ≥5° ±5°C, The heating off: ≥12° ±5°C The fan opens when the heat is turned on Open the fan: ≤40° ±5°C, Close the fan: ≤30° ±5°C
Dimensions (L × W × H)	Outside: 433mm×161mm×112mm(17.04" x 6.3"x 4.4") Inside: 309.4mm×106.4mm×78.5mm(12.2" x 4.2"x 3.1")
Weight	1.6KG(3.53lb)
Material	Shell: aluminum alloy Sun shade:plastic Front and rear lids: plastic

## Dimensions



## Accessories

Housing	Amount	Remarks
Pendant mount	1	17 "outdoor basic protection shield ,Sun shade, Heating,fan

Installation mode	Accessories	Description
Pendant mount	AE-TR-CM06	/
Wall mount	Indoor: AE-TR-WM06-A Outdoor: AE-TR-WM06-B	/
Rail mount	AE-TR-UV06-A + AE-TR-UP06	/
Standing pole mount	AE-TR-WM06-B + AE-TR-UP06	/
Pole mount	AE-TR-UV06-A	/



Best Service of Testing

# Certificate of Compliance

Certificate NO : BST13080629Y-1SC-2

**Applicant** : NINGBO HANMUL TRADING CO.,LTD  
 89 Yanshanhe Noth Road,Beilun District,Ningbo City  
**Manufacturer** : NING BO KEVIS CO.,LTD  
 #10-5 Laoshanlu,Dagang IND Zone,Beilun,Ningbo,Zhejiang,China  
**Product Name** : CCTV HOUSING  
**Main Test Model** : FH-5140  
**Additional Model** : FH-5140S, FH-5140SH, FH-5140SB, FH-5140SHB,  
 FH-5140SHBD, FH-5140HB  
**Test Standard** : EN60529: 1991+A1:2000  
**As shown in the Test Report No.** : BST13080629Y-1SR-2

The EUT described above has been tested by us with the listed standards.  
 The certificate applies to the tested sample above mentioned only and shall not imply an assessment of the whole production.



## IP65

**Christina**  
 Manager  
 Sep. 04, 2013

**Shenzhen BST Technology Co., Ltd.**

Add:Building No.23-24,Zhiheng Industrial Park,Guankouer Road,Nantou,Nanshan District,Shenzhen,Guangdong,China

Certificate Search: <http://www.bst-lab.com>, Tel: 400-882-9628, 8009990305, E-mail:[christina@bst-lab.com](mailto:christina@bst-lab.com)

**Zhejiang Uniview Technologies Co.,Ltd.**

South Tower, Building 10, Wanlun Science Park, 88 Jiangling Road, Hangzhou, P.R.China 310051

Email: [overseasbusiness@uniview.com](mailto:overseasbusiness@uniview.com); [globalsupport@uniview.com](mailto:globalsupport@uniview.com)

<http://www.uniview.com>

©2015-2018 Zhejiang Uniview Technologies Co.,Ltd. All rights reserved.

\*Product specifications and availability are subject to change without notice.